

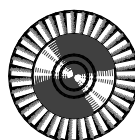
Press Release 2013-07-01

NOWMON INC. introduced as ROHR2 Sales Partner in USA

Unna, Germany, July 2013

SIGMA GmbH, Germany, today announced the business partnership with NOWMON, INC., Santa Barbara, CA, to expand its territory for sales and support of the CAE products ROHR2 and SINETZ in the USA.

This partnership was finalized in June 2013. NOWMON, INC., provider of engineering services, is a valuable partner to SIGMA and was selected to increase product presence in the American engineering software market for ROHR2 and SINETZ.



NOWMON, INC.

Turbomachinery & Piping Engineering

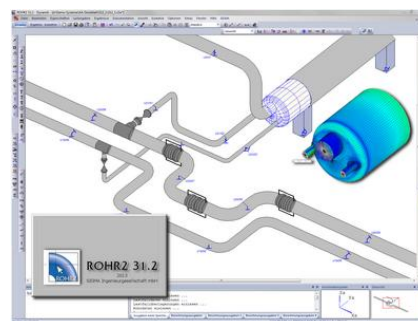
As a long-term user of ROHR2, NOWMON, INC. is the perfect partner for SIGMA to accomplish this goal.

Based in the USA, NOWMON is well-known globally as a specialist engineering & technology services company. NOWMON has a focus on enhancing their client's product / project engineering efficiency and providing services for CAD / CAL / CAE products. NOWMON offers training on the products as well as product support led by its own staff who are experts in their respective fields.

About: ROHR2 and SINETZ

For more than 40 years **ROHR2** is a leading Software for Pipe Stress Analysis, a standard tool for pipe static and structural framework analysis, covering a variety of specifications like **ASME, EN, ISO14692, KTA, CODETI** or **RCCM**. The software is equipped by a range of additional features enhancing the engineer's daily job, as there are FEM analysis (ROHR2fes), isometric capabilities (ROHR2iso) and a wide range of CAD and CAE interfaces.

ROHR2 is developed, distributed and supported by SIGMA Ingenieurgesellschaft in Germany. SIGMA is known as one of the leading engineering specialists in the Pipe Stress Business, offering field tested products, strongly adapted to the user's needs.



SINETZ is the design solution for Steady State Calculation of Flow Distribution, Pressure Drop and Heat Loss in Branched and Intermeshed Piping Networks for compressible and incompressible media.

About: NOWMON INC.

NOWMON, INC. is dedicated to providing engineering services which are plant-specific, cost-effective, and based on over 70 years of combined engineering experience in the company's management.

We are equipped with the latest computer programs and we also develop proprietary software. With this combination of experience and state-of-the-art technology, we have provided the industry with customized, economical solutions to its engineering needs

About: SIGMA

SIGMA, established in 1989 in Dortmund, Germany has emerged as a partner of choice for many international companies with its software and the wide variety of Engineering services. SIGMA is known as one of the leading engineering specialists in the Pipe Stress Business, offering field tested products, strongly adapted to the user's needs as well as engineering services.

Contact

NOWMON, INC.
Mr. Georg Naumann
201 Mesa Lane
Santa Barbara, CA 93109, USA
Tel. +1 (805) 288-6655
Email georg@nowmon.com



SIGMA Ingenieurgesellschaft mbH
Bertha-von-Suttner-Allee 19
D-59423 Unna, Germany
Tel +49 2303 33233-0
sales@rohr2.com

www.rohr2.com